



Sink

## S1000

Sink - 1 bowl - Standard Edge (STD) - for standard built in installation

Code: 1186 161 DX (Vasca a destra)

Code: 1186 162 SX (Vasca a sinistra)

## Product Details

Materials/Finishes	Foster-brushed finish AISI 304 stainless steel
Cabinet	45 cm
Dimensions	860x500 mm
Edge/Installation Type	Standard Edge (STD) - for standard built in installation
Cut out	840x480 mm
Number of bowls	1 bowl
Bowl dimension	340x400 mm
Waste fitting	3,5" waste
Mixer holes	One standard tap hole
Standard fittings	fixing brackets, gasket, waste fitting, overflow and siphon. Packing: single carton box.

## Features



Added value

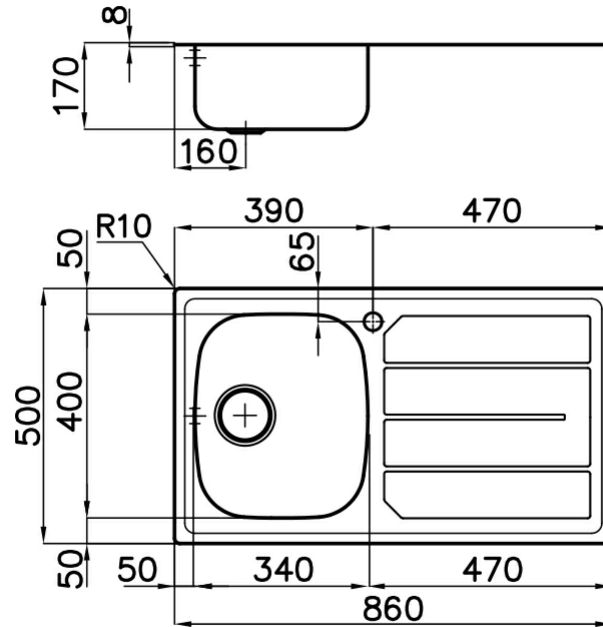


Basket 3,5" waste fitting



Sliding brackets

Dimensions



Optional accessories



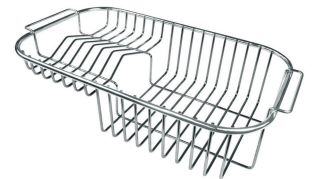
iroko-wood sliding chopping board 8643 000



hpde chopping board 8657 001



stainless steel basket 8611 000



stainless steel plate rack 8100

301  
22-02-2019 08:57:28